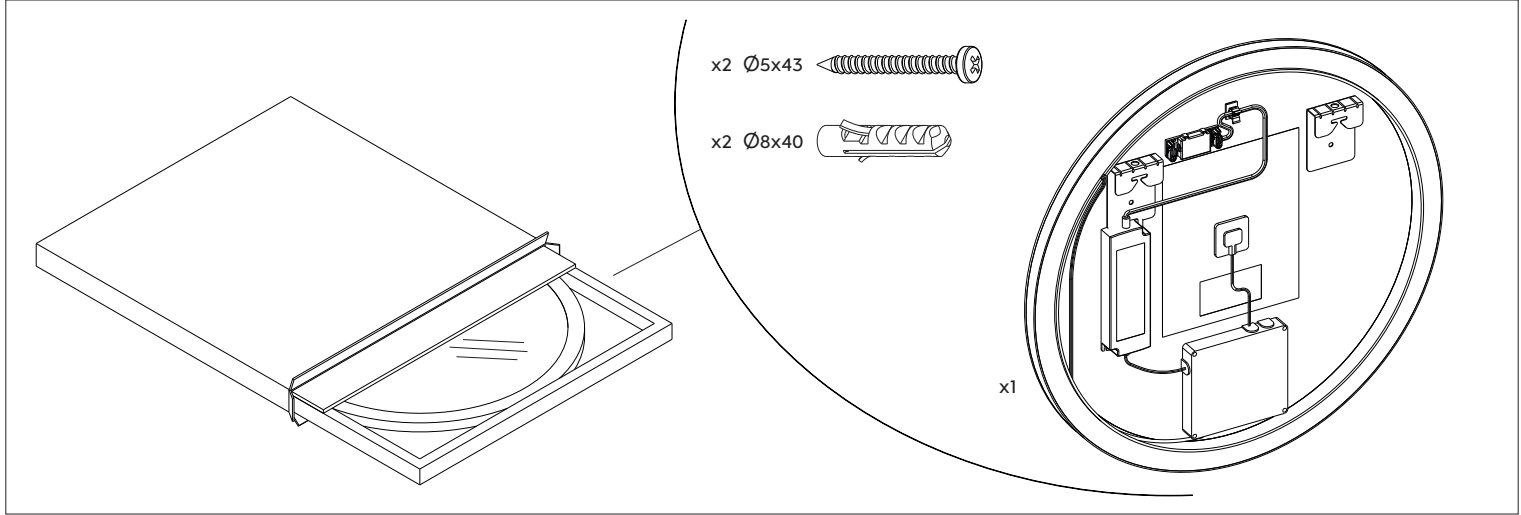
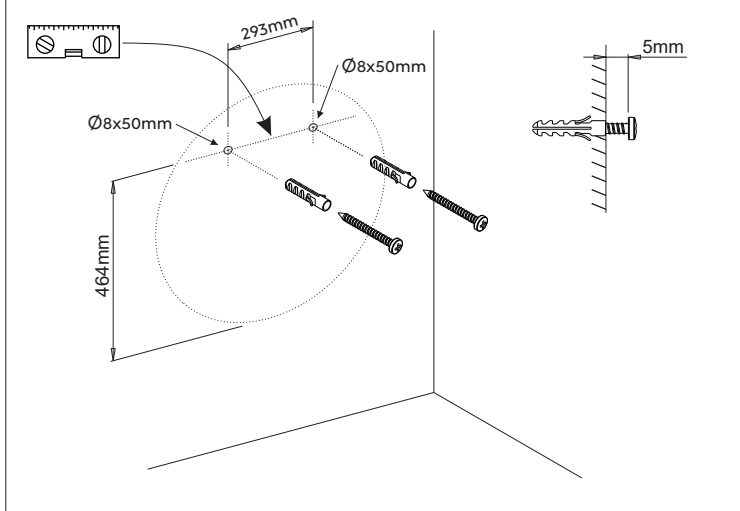




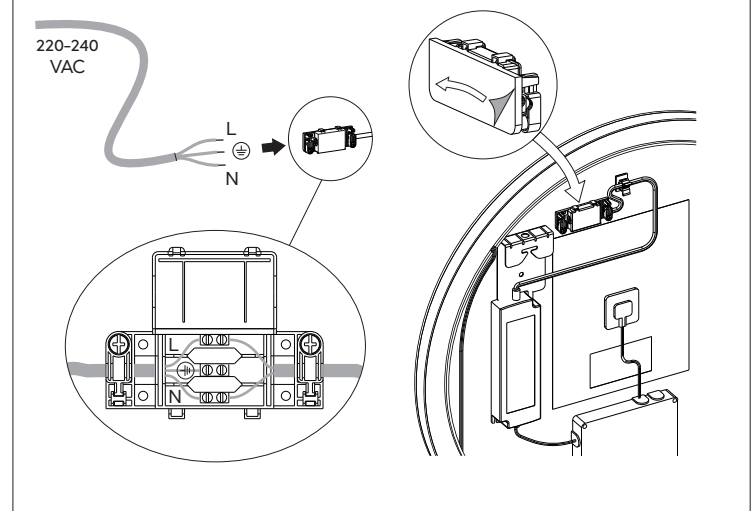
IO-SM i



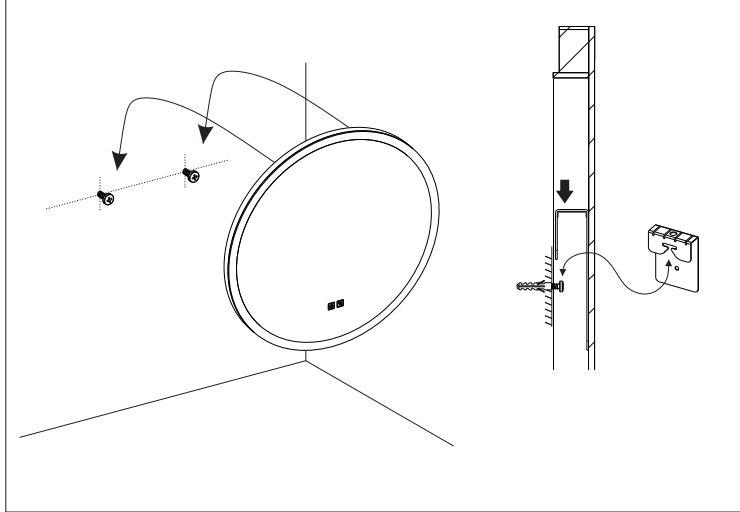
IO-SM



IO-SM



IO-SM



IO-SM

<p>LIGHT</p> ON x1 1" DIMMER LIGHT x1 5%~100% ~ OFF x1 1" CCT SELECTOR x3 1" REVERSE MODE x3 1"	<p>DEFOG</p> ON x1 1" OFF x1 1"
---	---

MIRROR LIGHT DEFOG

