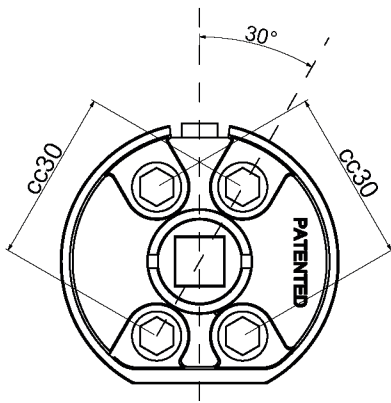
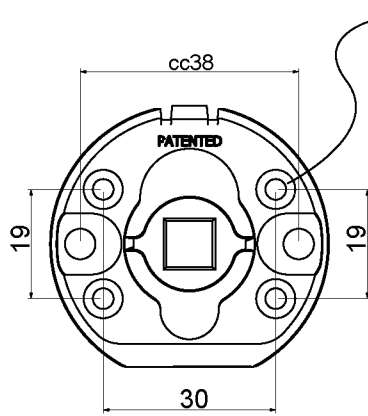


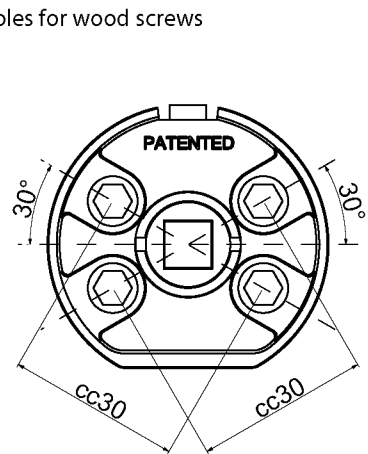
Mounting plate hole configurations



Scandinavian standard
(2014-lock cases and similar)



European standard



Modular locks
(565-lock cases and similar)