



**GIRO**

1XCR2032 | 3V  
LITHIUM | 0,1 mA

**GIRO**

**A**

**B**

**GIRO**

24Vdc Power Supply

max 15mt

**GIRO**

**MATCHING:**

>3 sec.

max. 30sec

<1 sec.

24Vdc

**GIRO NEXT**

ON

OFF

x1

1 → 2 → 3 → 4 → 5 → 6

1 ← 2 ← 3 ← 4 ← 5 ← 6

**GIRO NEXT**

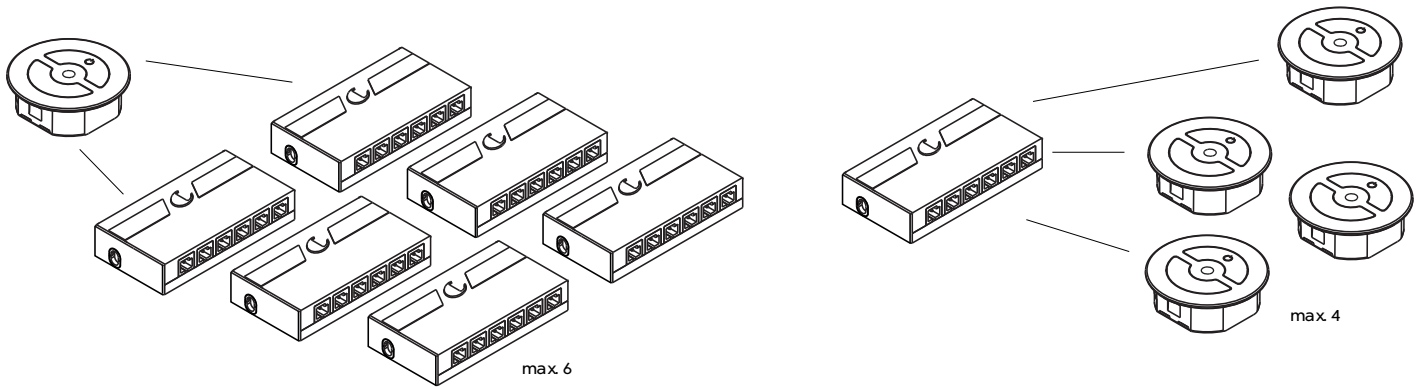
M0011000074\_r0\_p.1/2



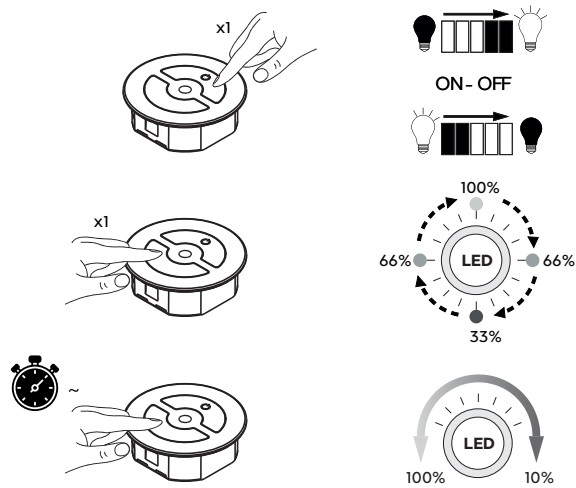
GIRO



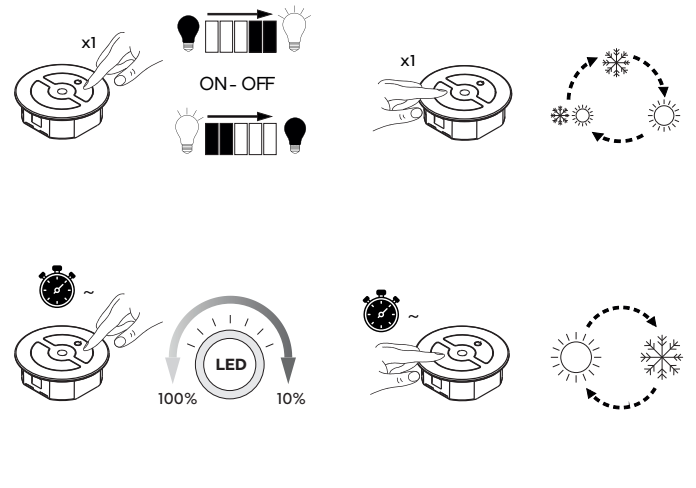
CONNECTIVITY



GIRO NEXT



GIRO NEXT D-M



GIRO



RESET

